

Features

- Cable gland series for armored cables
- Barrier gland
- Brass nickel-plated or stainless steel
- Metric and NPT versions available
- Ex db, Ex eb and Ex tb certified
- Suitable for operation in Zones 1, 2, 21 and 22

Function

The metal cable glands type CG.BA are suitable for indoor and outdoor applications in Zone 1, Zone 2, Zone 21 and Zone 22 hazardous areas. They are intended for use with armored cables. A two-part system sealing compound provides a reliable protection against explosion transmission through the cables. Typical armors which can be clamped are steel wire armor (SWA), steel wire braided (SWB), steel tape armor (STA), pliable wire armor (PWA) and aluminum wire armor.



Type Code / Model Number

Series

CG cable glands

Type

BA metal barrier glands for armored cables

Thread

M* metric ISO pitch 1.5; sizes see dimensions data table

NPT* NPT ANSI ASME B1.20.1; sizes see dimensions data table

Material

BN brass nickel-plated

SS stainless steel

Material Seals / O-Ring

S silicone

Thread length for installation in enclosure

****** length in mm

Packaging unit

units not packaged, for use in Pepperl+Fuchs Solution Engineering Centers


K** units quantity per package

CG	.xx	.xxx	.xx	.x	.nn	.Knn	
CG	.BA	.M20	.SS	.S	.16	.K01	Example

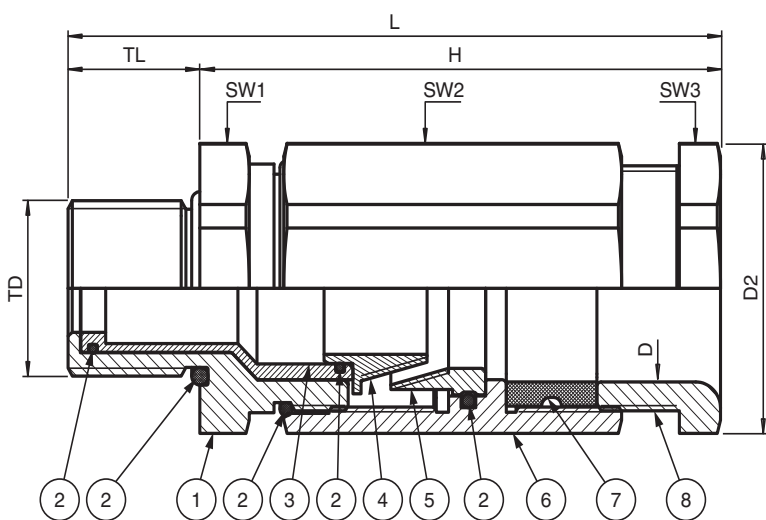
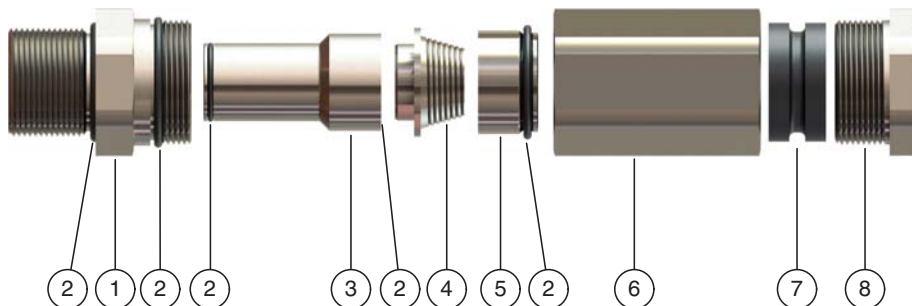
Example: Barrier cable gland metal, for armored cables, thread size M20, body stainless steel, silicone seals for -60 °C ... 100 °C, installation thread length 16 mm, one piece

Release date 2019-05-21 T190578

Refer to "General Notes Relating to Pepperl+Fuchs Product Information".

Technical Data	
Mechanical specifications	
Dimensions	see data table
Cable type	armored cables
Thread type	metric ISO pitch 1.5 mm or NPT ANSI ASME B1.20.1
Clamping range (D)	see data table
Degree of protection	IP66 / IP68
Mass	see data table
Material	
Cable gland	brass nickel-plated or AISI 316 (1.4401) stainless steel
Finish	inherent color silver
O-Ring	silicone
Seal insert	silicone
Ambient conditions	
Ambient temperature	-60 ... 100 °C (-76 ... 212 °F)
Data for application in connection with hazardous areas	
EU-Type Examination Certificate	CESI 18 ATEX 037 X
Marking	 II 2 GD Ex db IIC Gb Ex eb IIC Gb Ex tb IIIC Db
International approvals	
IECEX approval	IECEX CES 18.0030X
Conformity	
Degree of protection	EN 60529
CE marking	0102
General information	
Supplementary information	EC-Type Examination Certificate, Statement of Conformity, Declaration of Conformity, Attestation of Conformity and instructions have to be observed where applicable. For information see www.pepperl-fuchs.com .
Scope of delivery	K01 - individual component: Cable gland, epoxy moulding compound, pair of gloves, brief instructions Knn - packing unit with multiple components: Cable glands, epoxy moulding compound, pair of gloves, brief instructions (1 copy)

Dimensions



Legend	
1	Gland body basis
2	O-Ring
3	Barrier tube
4	Armor cone
5	Swivel braiding ring
6	Gland body
7	Seal insert
8	Pressure nut
D	Clamping range, cable sheath diameter
D2	Width across corners
H	Length outside enclosure
L	Total length
SW*	Width across flats
TD	Thread size
TL	Thread length
Barrier details in data table	
CQ	Max. number of cores
DS	Core cross-section, single-core cable
DM	Total core cross-section, multi-core cable
CC	Max. total core cross-section area

For details see data tables

Dimensions Metric - Brass Nickel-plated

Type	Thread size	Clamping range [mm]	Max. armor thickness [mm]	Dimensions [mm]						
	TD	D		H	L	TL	D2	SW1	SW2	SW3
CG.BA.M20S.BN.S.16.*	M20	6 ... 13	1.25	61.5	77.5	16	27	25	25	25
CG.BA.M20.BN.S.16.*	M20	8 ... 15	1.25	61.5	77.5	16	27	25	25	25
CG.BA.M20L.BN.S.16.*	M20	13.5 ... 21	1.25	63.2	79.2	16	33	30	30	30
CG.BA.M25S.BN.S.16.*	M25	8 ... 15	1.25	61.5	77.5	16	33	30	25	25
CG.BA.M25.BN.S.16.*	M25	13.5 ... 21	1.25	63.2	79.2	16	33	30	30	30
CG.BA.M25L.BN.S.16.*	M25	18 ... 27	1.6	70.5	86.5	16	44.5	40	40	40
CG.BA.M32.BN.S.16.*	M32	18 ... 27	1.6	70.5	86.5	16	44.5	40	40	40
CG.BA.M32L.BN.S.16.*	M32	23 ... 33	1.6	72.3	88.3	16	47	43	43	43
CG.BA.M40S.BN.S.16.*	M40	23 ... 33	1.6	72.3	88.3	16	50	45	43	43
CG.BA.M40.BN.S.16.*	M40	29 ... 40	2	80.5	96.5	16	55.5	50	50	50
CG.BA.M50S.BN.S.16.*	M50	29 ... 40	2	80.5	96.5	16	61	55	50	50
CG.BA.M50.BN.S.16.*	M50	35 ... 48	2.5	88.3	104.3	16	64	58	58	58
CG.BA.M63S.BN.S.20.*	M63	35 ... 48	2.5	88.3	104.3	16	64	58	58	58
CG.BA.M63.BN.S.20.*	M63	42 ... 56	2.5	117.7	137.7	20	83	75	75	75
CG.BA.M75S.BN.S.20.*	M75	42 ... 56	2.5	117.7	137.7	20	89	80	75	75
CG.BA.M75.BN.S.20.*	M75	54 ... 70	3.2	124.1	144.1	20	110.5	100	100	100

Details and Accessories Metric - Brass Nickel-plated

Type	Thread size	Mass approx.		Barrier details				Nut torques [Nm]			Delivery quantity
	TD	Component	Packaging unit	CQ max. qty.	DS [mm]	DM [mm]	CC max. [mm²]	SW1	SW2	SW3	
CG.BA.M20S.BN.S.16.K01	M20	156 g	258 g	9	1.5 ... 9.5	1.5 ... 9.5	70.9	60	60	30	1
CG.BA.M20S.BN.S.16.K15	M20	201 g	4.82 kg	9	1.5 ... 9.5	1.5 ... 9.5	70.9	60	60	30	15
CG.BA.M20.BN.S.16.K01	M20	176 g	233 g	9	1.5 ... 9.5	1.5 ... 9.5	70.9	60	60	25	1
CG.BA.M20.BN.S.16.K15	M20	176 g	3.45 kg	9	1.5 ... 9.5	1.5 ... 9.5	70.9	60	60	25	15
CG.BA.M20L.BN.S.16.K01	M20	226 g	284 g	9	1.5 ... 9.5	1.5 ... 9.5	70.9	60	60	35	1
CG.BA.M20L.BN.S.16.K15	M20	226 g	4.2 kg	9	1.5 ... 9.5	1.5 ... 9.5	70.9	60	60	35	15
CG.BA.M25S.BN.S.16.K01	M25	213 g	270 g	9	1.5 ... 9.5	1.5 ... 9.5	70.9	65	60	25	1
CG.BA.M25S.BN.S.16.K10	M25	213 g	2.75 kg	9	1.5 ... 9.5	1.5 ... 9.5	70.9	65	60	25	10
CG.BA.M25.BN.S.16.K01	M25	250 g	307 g	9	1.5 ... 9.5	1.5 ... 9.5	70.9	65	60	35	1
CG.BA.M25.BN.S.16.K10	M25	250 g	3.12 kg	9	1.5 ... 9.5	1.5 ... 9.5	70.9	65	60	35	10
CG.BA.M25L.BN.S.16.K01	M25	431 g	488 g	22	1.5 ... 15	1.5 ... 15	176.7	65	65	30	1
CG.BA.M25L.BN.S.16.K10	M25	431 g	4.93 kg	22	1.5 ... 15	1.5 ... 15	176.7	65	65	30	10
CG.BA.M32.BN.S.16.K01	M32	473 g	530 g	22	1.5 ... 15	1.5 ... 15	176.7	70	70	30	1
CG.BA.M32.BN.S.16.K10	M32	473 g	5.35 kg	22	1.5 ... 15	1.5 ... 15	176.7	70	70	30	10
CG.BA.M32L.BN.S.16.K01	M32	438 g	520 g	36	1.5 ... 21.5	1.5 ... 21.5	363.1	70	70	55	1
CG.BA.M32L.BN.S.16.K10	M32	438 g	5.25 kg	36	1.5 ... 21.5	1.5 ... 21.5	363.1	70	70	55	10
CG.BA.M40S.BN.S.16.K01	M40	507 g	594 g	36	1.5 ... 21.5	1.5 ... 21.5	363.1	80	70	55	1
CG.BA.M40S.BN.S.16.K05	M40	507 g	3.09 kg	36	1.5 ... 21.5	1.5 ... 21.5	363.1	80	70	55	5
CG.BA.M40.BN.S.16.K01	M40	574 g	586 g	55	1.5 ... 29	1.5 ... 29	660.5	80	80	65	1
CG.BA.M40.BN.S.16.K05	M40	574 g	3.55 kg	55	1.5 ... 29	1.5 ... 29	660.5	80	80	65	5
CG.BA.M50S.BN.S.16.K01	M50	693 g	805 g	55	1.5 ... 29	1.5 ... 29	660.5	90	80	65	1
CG.BA.M50S.BN.S.16.K02	M50	693 g	1.81 kg	55	1.5 ... 29	1.5 ... 29	660.5	90	80	65	2
CG.BA.M50.BN.S.16.K01	M50	754 g	891 g	75	1.5 ... 37	1.5 ... 37	1075.2	90	90	75	1
CG.BA.M50.BN.S.16.K02	M50	754 g	1.98 kg	75	1.5 ... 37	1.5 ... 37	1075.2	90	90	75	2
CG.BA.M63S.BN.S.20.K01	M63	1.03 kg	1.17 kg	75	1.5 ... 37	1.5 ... 37	1075.2	110	90	75	1
CG.BA.M63S.BN.S.20.K02	M63	1.03 kg	2.54 kg	75	1.5 ... 37	1.5 ... 37	1075.2	110	90	75	2
CG.BA.M63.BN.S.20.K01	M63	2.03 kg	2.29 kg	99	1.5 ... 46	1.5 ... 46	1661.9	110	110	85	1
CG.BA.M63.BN.S.20.K02	M63	2.03 kg	4.78 kg	99	1.5 ... 46	1.5 ... 46	1661.9	110	110	85	2
CG.BA.M75S.BN.S.20.K01	M75	2.3 kg	2.57 kg	99	1.5 ... 46	1.5 ... 46	1661.9	120	110	85	1
CG.BA.M75S.BN.S.20.K02	M75	2.3 kg	5.33 kg	99	1.5 ... 46	1.5 ... 46	1661.9	120	110	85	2
CG.BA.M75.BN.S.20.K01	M75	3.76 kg	4.09 kg	129	1.5 ... 58	1.5 ... 58	2642.1	120	120	150	1
CG.BA.M75.BN.S.20.K02	M75	3.76 kg	8.38 kg	129	1.5 ... 58	1.5 ... 58	2642.1	120	120	150	2

*Knn: scope of delivery see table technical data

Refer to "General Notes Relating to Pepperl+Fuchs Product Information".

Pepperl+Fuchs Group
www.pepperl-fuchs.comUSA: +1 330 486 0002
pa-info@us.pepperl-fuchs.comGermany: +49 621 776 2222
pa-info@de.pepperl-fuchs.comSingapore: +65 6779 9091
pa-info@sg.pepperl-fuchs.com

PEPPERL+FUCHS

Dimensions Metric - Stainless Steel

Type	Thread size	Clamping range [mm]	Max. armor thickness [mm]	Dimensions [mm]						
	TD	D		H	L	TL	D2	SW1	SW2	SW3
CG.BA.M20S.SS.S.16.*	M20	6 ... 13	1.25	61.5	77.5	16	27	25	25	25
CG.BA.M20.SS.S.16.*	M20	8 ... 15	1.25	61.5	77.5	16	27	25	25	25
CG.BA.M20L.SS.S.16.*	M20	13.5 ... 21	1.25	63.2	79.2	16	33	30	30	30
CG.BA.M25S.SS.S.16.*	M25	8 ... 15	1.25	61.5	77.5	16	33	30	25	25
CG.BA.M25.SS.S.16.*	M25	13.5 ... 21	1.25	63.2	79.2	16	33	30	30	30
CG.BA.M25L.SS.S.16.*	M25	18 ... 27	1.6	70.5	86.5	16	44.5	40	40	40
CG.BA.M32.SS.S.16.*	M32	18 ... 27	1.6	70.5	86.5	16	44.5	40	40	40
CG.BA.M32L.SS.S.16.*	M32	23 ... 33	1.6	72.3	88.3	16	47	43	43	43
CG.BA.M40S.SS.S.16.*	M40	23 ... 33	1.6	72.3	88.3	16	50	45	43	43
CG.BA.M40.SS.S.16.*	M40	29 ... 40	2	80.5	96.5	16	55.5	50	50	50
CG.BA.M50S.SS.S.16.*	M50	29 ... 40	2	80.5	96.5	16	61	55	50	50
CG.BA.M50.SS.S.16.*	M50	35 ... 48	2.5	88.3	104.3	16	64	58	58	58
CG.BA.M63S.SS.S.20.*	M63	35 ... 48	2.5	88.3	104.3	16	64	75	75	75
CG.BA.M63.SS.S.20.*	M63	42 ... 56	2.5	117.7	137.7	20	83	75	75	75
CG.BA.M75S.SS.S.20.*	M75	42 ... 56	2.5	117.7	137.7	20	89	80	75	75
CG.BA.M75.SS.S.20.*	M75	54 ... 70	3.2	124.1	144.1	20	110.5	100	100	100

Details and Accessories Metric - Stainless Steel

Type	Thread size	Mass approx.		Barrier details				Nut torques [Nm]			Delivery quantity
	TD	Component	Packaging unit	CQ max. qty.	DS [mm]	DM [mm]	CC max. [mm²]	SW1	SW2	SW3	
CG.BA.M20S.SS.S.16.K01	M20	190 g	247 g	9	1.5 ... 9.5	1.5 ... 9.5	70.9	60	60	30	1
CG.BA.M20S.SS.S.16.K15	M20	190 g	3.65 kg	9	1.5 ... 9.5	1.5 ... 9.5	70.9	60	60	30	15
CG.BA.M20.SS.S.16.K01	M20	166 g	223 g	9	1.5 ... 9.5	1.5 ... 9.5	70.9	60	60	25	1
CG.BA.M20.SS.S.16.K15	M20	166 g	3.3 kg	9	1.5 ... 9.5	1.5 ... 9.5	70.9	60	60	25	15
CG.BA.M20L.SS.S.16.K01	M20	214 g	271 g	9	1.5 ... 9.5	1.5 ... 9.5	70.9	60	60	35	1
CG.BA.M20L.SS.S.16.K15	M20	214 g	4.02 kg	9	1.5 ... 9.5	1.5 ... 9.5	70.9	60	60	35	15
CG.BA.M25S.SS.S.16.K01	M25	201 g	258 g	9	1.5 ... 9.5	1.5 ... 9.5	70.9	65	60	25	1
CG.BA.M25S.SS.S.16.K10	M25	201 g	2.63 kg	9	1.5 ... 9.5	1.5 ... 9.5	70.9	65	60	25	10
CG.BA.M25.SS.S.16.K01	M25	236 g	293 g	9	1.5 ... 9.5	1.5 ... 9.5	70.9	65	60	35	1
CG.BA.M25.SS.S.16.K10	M25	236 g	2.98 kg	9	1.5 ... 9.5	1.5 ... 9.5	70.9	65	60	35	10
CG.BA.M25L.SS.S.16.K01	M25	407 g	464 g	22	1.5 ... 15	1.5 ... 15	176.7	65	65	30	1
CG.BA.M25L.SS.S.16.K10	M25	407 g	4.69 kg	22	1.5 ... 15	1.5 ... 15	176.7	65	65	30	10
CG.BA.M32.SS.S.16.K01	M32	447 g	504 g	22	1.5 ... 15	1.5 ... 15	176.7	70	70	30	1
CG.BA.M32.SS.S.16.K10	M32	447 g	5.09 kg	22	1.5 ... 15	1.5 ... 15	176.7	70	70	30	10
CG.BA.M32L.SS.S.16.K01	M32	414 g	496 g	36	1.5 ... 21.5	1.5 ... 21.5	363.1	70	70	55	1
CG.BA.M32L.SS.S.16.K10	M32	414 g	5.01 kg	36	1.5 ... 21.5	1.5 ... 21.5	363.1	70	70	55	10
CG.BA.M40S.SS.S.16.K01	M40	479 g	566 g	36	1.5 ... 21.5	1.5 ... 21.5	363.1	80	70	55	1
CG.BA.M40S.SS.S.16.K05	M40	479 g	2.95 kg	36	1.5 ... 21.5	1.5 ... 21.5	363.1	80	70	55	5
CG.BA.M40.SS.S.16.K01	M40	542 g	654 g	55	1.5 ... 29	1.5 ... 29	660.5	80	80	65	1
CG.BA.M40.SS.S.16.K05	M40	542 g	3.39 kg	55	1.5 ... 29	1.5 ... 29	660.5	80	80	65	5
CG.BA.M50S.SS.S.16.K01	M50	655 g	767 g	55	1.5 ... 29	1.5 ... 29	660.5	90	80	65	1
CG.BA.M50S.SS.S.16.K02	M50	655 g	1.73 kg	55	1.5 ... 29	1.5 ... 29	660.5	90	80	65	2
CG.BA.M50.SS.S.16.K01	M50	712 g	849 g	75	1.5 ... 37	1.5 ... 37	1075.2	90	90	75	1
CG.BA.M50.SS.S.16.K02	M50	712 g	1.9 kg	75	1.5 ... 37	1.5 ... 37	1075.2	90	90	75	2
CG.BA.M63S.SS.S.20.K01	M63	974 g	1.11 kg	75	1.5 ... 37	1.5 ... 37	1075.2	110	90	75	1
CG.BA.M63S.SS.S.20.K02	M63	974 g	2.42 kg	75	1.5 ... 37	1.5 ... 37	1075.2	110	90	75	2
CG.BA.M63.SS.S.20.K01	M63	1.92 kg	2.18 kg	99	1.5 ... 46	1.5 ... 46	1661.9	110	110	85	1
CG.BA.M63.SS.S.20.K02	M63	1.92 kg	4.56 kg	99	1.5 ... 46	1.5 ... 46	1661.9	110	110	85	2
CG.BA.M75S.SS.S.20.K01	M75	2.18 kg	2.44 kg	99	1.5 ... 46	1.5 ... 46	1661.9	120	110	85	1
CG.BA.M75S.SS.S.20.K02	M75	2.18 kg	5.08 kg	99	1.5 ... 46	1.5 ... 46	1661.9	120	110	85	2
CG.BA.M75.SS.S.20.K01	M75	3.55 kg	3.88 kg	129	1.5 ... 58	1.5 ... 58	2642.1	120	120	150	1
CG.BA.M75.SS.S.20.K02	M75	3.55 kg	7.97 kg	129	1.5 ... 58	1.5 ... 58	2642.1	120	120	150	2

*Knn: scope of delivery see table technical data

Refer to "General Notes Relating to Pepperl+Fuchs Product Information".

Pepperl+Fuchs Group
www.pepperl-fuchs.comUSA: +1 330 486 0002
pa-info@us.pepperl-fuchs.comGermany: +49 621 776 2222
pa-info@de.pepperl-fuchs.comSingapore: +65 6779 9091
pa-info@sg.pepperl-fuchs.com

PEPPERL+FUCHS

Dimensions NPT - Brass Nickel-plated

Type	Thread size	Clamping range [mm]	Max. armor thickness [mm]	Dimensions [mm]						
	TD	D		H	L	TL	D2	SW1	SW2	SW3
CG.BA.NPT1/2S.BN.S.21.*	NPT 1/2"	6 ... 13	1.25	61.5	82.5	21	27	25	25	25
CG.BA.NPT1/2.BN.S.21.*	NPT 1/2"	8 ... 15	1.25	61.5	82.5	21	27	25	25	25
CG.BA.NPT1/2L.BN.S.21.*	NPT 1/2"	13.5 ... 21	1.25	63.2	84.2	21	33	30	30	30
CG.BA.NPT3/4S.BN.S.21.*	NPT 3/4"	8 ... 15	1.25	61.7	82.7	21	33	30	25	25
CG.BA.NPT3/4.BN.S.21.*	NPT 3/4"	13.5 ... 21	1.25	63.2	84.2	21	33	30	30	30
CG.BA.NPT3/4L.BN.S.21.*	NPT 3/4"	18 ... 27	1.6	70.5	91.5	21	44.5	40	40	40
CG.BA.NPT1.BN.S.26.*	NPT 1"	18 ... 27	1.6	70.6	96.6	26	44.5	40	40	40
CG.BA.NPT1L.BN.S.26.*	NPT 1"	23 ... 33	1.6	72.3	98.3	26	47	43	43	43
CG.BA.NPT1-1/4S.BN.S.28.*	NPT 1-1/4"	23 ... 33	1.6	72.3	100.3	28	50	45	43	43
CG.BA.NPT1-1/4.BN.S.28.*	NPT 1-1/4"	29 ... 40	2	80.5	108.5	28	55.5	50	50	50
CG.BA.NPT1-1/2.BN.S.28.*	NPT 1-1/2"	29 ... 40	2	80.5	108.5	28	61	55	50	50
CG.BA.NPT2.BN.S.28.*	NPT 2"	35 ... 48	2.5	88.5	116.3	28	72	65	58	58
CG.BA.NPT2-1/2.BN.S.41.*	NPT 2-1/2"	42 ... 56	2.5	117.9	158.9	41	89	80	75	75
CG.BA.NPT3.BN.S.43.*	NPT 3"	54 ... 70	3.2	124.1	167.1	43	110.5	100	100	100

Details and Accessories NPT - Brass Nickel-plated

Type	Thread size	Mass approx.		Barrier details				Nut torques [Nm]			Delivery quantity
	TD	Component	Packaging unit	CQ max. qty.	DS [mm]	DM [mm]	CC max. [mm²]	SW1	SW2	SW3	
CG.BA.NPT1/2S.BN.S.21.K01	NPT 1/2"	218 g	275 g	9	1.5 ... 9.5	1.5 ... 9.5	70.9	60	60	30	1
CG.BA.NPT1/2S.BN.S.21.K15	NPT 1/2"	218 g	4.08 kg	9	1.5 ... 9.5	1.5 ... 9.5	70.9	60	60	30	15
CG.BA.NPT1/2.BN.S.21.K01	NPT 1/2"	193 g	250 g	9	1.5 ... 9.5	1.5 ... 9.5	70.9	60	60	25	1
CG.BA.NPT1/2.BN.S.21.K15	NPT 1/2"	193 g	3.7 kg	9	1.5 ... 9.5	1.5 ... 9.5	70.9	60	60	25	15
CG.BA.NPT1/2L.BN.S.21.K01	NPT 1/2"	242 g	299 g	9	1.5 ... 9.5	1.5 ... 9.5	70.9	60	60	35	1
CG.BA.NPT1/2L.BN.S.21.K15	NPT 1/2"	242 g	4.44 kg	9	1.5 ... 9.5	1.5 ... 9.5	70.9	60	60	35	15
CG.BA.NPT3/4S.BN.S.21.K01	NPT 3/4"	243 g	300 g	9	1.5 ... 9.5	1.5 ... 9.5	70.9	60	60	25	1
CG.BA.NPT3/4S.BN.S.21.K10	NPT 3/4"	243 g	3.05 kg	9	1.5 ... 9.5	1.5 ... 9.5	70.9	60	60	25	10
CG.BA.NPT3/4.BN.S.21.K01	NPT 3/4"	278 g	335 g	9	1.5 ... 9.5	1.5 ... 9.5	70.9	65	60	35	1
CG.BA.NPT3/4.BN.S.21.K10	NPT 3/4"	278 g	3.4 kg	9	1.5 ... 9.5	1.5 ... 9.5	70.9	65	60	35	10
CG.BA.NPT3/4L.BN.S.21.K01	NPT 3/4"	454 g	511 g	22	1.5 ... 15	1.5 ... 15	176.7	65	65	30	1
CG.BA.NPT3/4L.BN.S.21.K10	NPT 3/4"	454 g	5.16 kg	22	1.5 ... 15	1.5 ... 15	176.7	65	65	30	10
CG.BA.NPT1.BN.S.26.K01	NPT 1"	536 g	598 g	22	1.5 ... 15	1.5 ... 15	176.7	70	70	30	1
CG.BA.NPT1.BN.S.26.K10	NPT 1"	536 g	5.98 kg	22	1.5 ... 15	1.5 ... 15	176.7	70	70	30	10
CG.BA.NPT1L.BN.S.26.K01	NPT 1"	486 g	573 g	36	1.5 ... 21.5	1.5 ... 21.5	363.1	70	70	55	1
CG.BA.NPT1L.BN.S.26.K10	NPT 1"	486 g	5.73 kg	36	1.5 ... 21.5	1.5 ... 21.5	363.1	70	70	55	10
CG.BA.NPT1-1/4S.BN.S.28.K01	NPT 1-1/4"	622 g	709 g	36	1.5 ... 21.5	1.5 ... 21.5	363.1	70	70	55	1
CG.BA.NPT1-1/4S.BN.S.28.K05	NPT 1-1/4"	622 g	3.67 kg	36	1.5 ... 21.5	1.5 ... 21.5	363.1	70	70	55	5
CG.BA.NPT1-1/4.BN.S.28.K01	NPT 1-1/4"	655 g	767 g	55	1.5 ... 29	1.5 ... 29	660.5	70	80	65	1
CG.BA.NPT1-1/4.BN.S.28.K05	NPT 1-1/4"	655 g	3.96 kg	55	1.5 ... 29	1.5 ... 29	660.5	70	80	65	5
CG.BA.NPT1-1/2.BN.S.28.K01	NPT 1-1/2"	781 g	893 g	55	1.5 ... 29	1.5 ... 29	660.5	80	80	65	1
CG.BA.NPT1-1/2.BN.S.28.K02	NPT 1-1/2"	781 g	1.99 kg	55	1.5 ... 29	1.5 ... 29	660.5	80	80	65	2
CG.BA.NPT2.BN.S.28.K01	NPT 2"	1.08 kg	1.22 kg	75	1.5 ... 37	1.5 ... 37	1075.2	90	90	75	1
CG.BA.NPT2.BN.S.28.K02	NPT 2"	1.08 kg	2.64 kg	75	1.5 ... 37	1.5 ... 37	1075.2	90	90	75	2
CG.BA.NPT2-1/2.BN.S.41.K01	NPT 2-1/2"	2.27 kg	2.93 kg	99	1.5 ... 46	1.5 ... 46	1661.9	110	110	85	1
CG.BA.NPT2-1/2.BN.S.41.K02	NPT 2-1/2"	2.27 kg	6.06 kg	99	1.5 ... 46	1.5 ... 46	1661.9	110	110	85	2
CG.BA.NPT3.BN.S.43.K01	NPT 3"	4.63 kg	4.97 kg	129	1.5 ... 58	1.5 ... 58	2642.1	120	120	150	1
CG.BA.NPT3.BN.S.43.K02	NPT 3"	4.63 kg	10.14 kg	129	1.5 ... 58	1.5 ... 58	2642.1	120	120	150	2

*Knn: scope of delivery see table technical data

Dimensions NPT - Stainless Steel

Type	Thread size	Clamping range [mm]	Max. armor thickness [mm]	Dimensions [mm]						
	TD	D		H	L	TL	D2	SW1	SW2	SW3
CG.BA.NPT1/2S.SS.S.21.*	NPT 1/2"	6 ... 13	1.25	61.5	82.5	21	27	25	25	25
CG.BA.NPT1/2.SS.S.21.*	NPT 1/2"	8 ... 15	1.25	61.5	82.5	21	27	25	25	25
CG.BA.NPT1/2L.SS.S.21.*	NPT 1/2"	13.5 ... 21	1.25	63.2	84.2	21	33	30	30	30
CG.BA.NPT3/4S.SS.S.21.*	NPT 3/4"	8 ... 15	1.25	61.7	82.7	21	33	30	25	25
CG.BA.NPT3/4.SS.S.21.*	NPT 3/4"	13.5 ... 21	1.25	63.2	84.2	21	33	30	30	30
CG.BA.NPT3/4L.SS.S.21.*	NPT 3/4"	18 ... 27	1.6	70.5	91.5	21	44.5	40	40	40
CG.BA.NPT1.SS.S.26.*	NPT 1"	18 ... 27	1.6	70.6	96.6	26	44.5	40	40	40
CG.BA.NPT1L.SS.S.26.*	NPT 1"	23 ... 33	1.6	72.3	98.3	26	47	43	43	43
CG.BA.NPT1-1/4S.SS.S.28.*	NPT 1-1/4"	23 ... 33	1.6	72.3	100.3	28	50	45	43	43
CG.BA.NPT1-1/4.SS.S.28.*	NPT 1-1/4"	29 ... 40	2	80.5	108.5	28	55.5	50	50	50
CG.BA.NPT1-1/2.SS.S.28.*	NPT 1-1/2"	29 ... 40	2	80.5	108.5	28	61	55	50	50
CG.BA.NPT2.SS.S.28.*	NPT 2"	35 ... 48	2.5	88.5	116.3	28	72	65	58	58
CG.BA.NPT2-1/2.SS.S.41.*	NPT 2-1/2"	42 ... 56	2.5	117.9	158.9	41	89	80	75	75
CG.BA.NPT3.SS.S.43.*	NPT 3"	54 ... 70	3.2	124.1	167.1	43	110.5	100	100	100

Details and Accessories NPT - Stainless Steel

Type	Thread size	Mass approx.		Barrier details				Nut torques [Nm]			Delivery quantity
	TD	Component	Packaging unit	CQ max. qty.	DS [mm]	DM [mm]	CC max. [mm²]	SW1	SW2	SW3	
CG.BA.NPT1/2S.SS.S.21.K01	NPT 1/2"	206 g	263 g	9	1.5 ... 9.5	1.5 ... 9.5	70.9	60	60	30	1
CG.BA.NPT1/2S.SS.S.21.K15	NPT 1/2"	206 g	3.9 kg	9	1.5 ... 9.5	1.5 ... 9.5	70.9	60	60	30	15
CG.BA.NPT1/2.SS.S.21.K01	NPT 1/2"	183 g	240 g	9	1.5 ... 9.5	1.5 ... 9.5	70.9	60	60	25	1
CG.BA.NPT1/2.SS.S.21.K15	NPT 1/2"	183 g	3.54 kg	9	1.5 ... 9.5	1.5 ... 9.5	70.9	60	60	25	15
CG.BA.NPT1/2L.SS.S.21.K01	NPT 1/2"	229 g	286 g	9	1.5 ... 9.5	1.5 ... 9.5	70.9	60	60	35	1
CG.BA.NPT1/2L.SS.S.21.K15	NPT 1/2"	229 g	4.24 kg	9	1.5 ... 9.5	1.5 ... 9.5	70.9	60	60	35	15
CG.BA.NPT3/4S.SS.S.21.K01	NPT 3/4"	229 g	286 g	9	1.5 ... 9.5	1.5 ... 9.5	70.9	60	60	25	1
CG.BA.NPT3/4S.SS.S.21.K10	NPT 3/4"	229 g	2.91 kg	9	1.5 ... 9.5	1.5 ... 9.5	70.9	60	60	25	10
CG.BA.NPT3/4.SS.S.21.K01	NPT 3/4"	262 g	319 g	9	1.5 ... 9.5	1.5 ... 9.5	70.9	65	60	35	1
CG.BA.NPT3/4.SS.S.21.K10	NPT 3/4"	262 g	3.24 kg	9	1.5 ... 9.5	1.5 ... 9.5	70.9	65	60	35	10
CG.BA.NPT3/4L.SS.S.21.K01	NPT 3/4"	429 g	486 g	22	1.5 ... 15	1.5 ... 15	176.7	65	65	30	1
CG.BA.NPT3/4L.SS.S.21.K10	NPT 3/4"	429 g	4.91 kg	22	1.5 ... 15	1.5 ... 15	176.7	65	65	30	10
CG.BA.NPT1.SS.S.26.K01	NPT 1"	506 g	568 g	22	1.5 ... 15	1.5 ... 15	176.7	70	70	30	1
CG.BA.NPT1.SS.S.26.K10	NPT 1"	506 g	5.68 kg	22	1.5 ... 15	1.5 ... 15	176.7	70	70	30	10
CG.BA.NPT1L.SS.S.26.K01	NPT 1"	459 g	546 g	36	1.5 ... 21.5	1.5 ... 21.5	363.1	70	70	55	1
CG.BA.NPT1L.SS.S.26.K10	NPT 1"	459 g	5.46 kg	36	1.5 ... 21.5	1.5 ... 21.5	363.1	70	70	55	10
CG.BA.NPT1-1/4S.SS.S.28.K01	NPT 1-1/4"	588 g	675 g	36	1.5 ... 21.5	1.5 ... 21.5	363.1	70	70	55	1
CG.BA.NPT1-1/4S.SS.S.28.K05	NPT 1-1/4"	588 g	3.5 kg	36	1.5 ... 21.5	1.5 ... 21.5	363.1	70	70	55	5
CG.BA.NPT1-1/4.SS.S.28.K01	NPT 1-1/4"	618 g	730 g	55	1.5 ... 29	1.5 ... 29	660.5	70	80	65	1
CG.BA.NPT1-1/4.SS.S.28.K05	NPT 1-1/4"	618 g	3.78 kg	55	1.5 ... 29	1.5 ... 29	660.5	70	80	65	5
CG.BA.NPT1-1/2.SS.S.28.K01	NPT 1-1/2"	737 g	849 g	55	1.5 ... 29	1.5 ... 29	660.5	80	80	65	1
CG.BA.NPT1-1/2.SS.S.28.K02	NPT 1-1/2"	737 g	1.9 kg	55	1.5 ... 29	1.5 ... 29	660.5	80	80	65	2
CG.BA.NPT2.SS.S.28.K01	NPT 2"	1.02 kg	1.16 kg	75	1.5 ... 37	1.5 ... 37	1075.2	90	90	75	1
CG.BA.NPT2.SS.S.28.K02	NPT 2"	1.02 kg	2.52 kg	75	1.5 ... 37	1.5 ... 37	1075.2	90	90	75	2
CG.BA.NPT2-1/2.SS.S.41.K01	NPT 2-1/2"	2.52 kg	2.78 kg	99	1.5 ... 46	1.5 ... 46	1661.9	110	110	85	1
CG.BA.NPT2-1/2.SS.S.41.K02	NPT 2-1/2"	2.52 kg	5.77 kg	99	1.5 ... 46	1.5 ... 46	1661.9	110	110	85	2
CG.BA.NPT3.SS.S.43.K01	NPT 3"	4.37 kg	4.71 kg	129	1.5 ... 58	1.5 ... 58	2642.1	120	120	150	1
CG.BA.NPT3.SS.S.43.K02	NPT 3"	4.37 kg	9.62 kg	129	1.5 ... 58	1.5 ... 58	2642.1	120	120	150	2

*Knn: scope of delivery see table technical data

Release date 2019-05-21 T190578

Refer to "General Notes Relating to Pepperl+Fuchs Product Information".

Pepperl+Fuchs Group
www.pepperl-fuchs.comUSA: +1 330 486 0002
pa-info@us.pepperl-fuchs.comGermany: +49 621 776 2222
pa-info@de.pepperl-fuchs.comSingapore: +65 6779 9091
pa-info@sg.pepperl-fuchs.com

PEPPERL+FUCHS